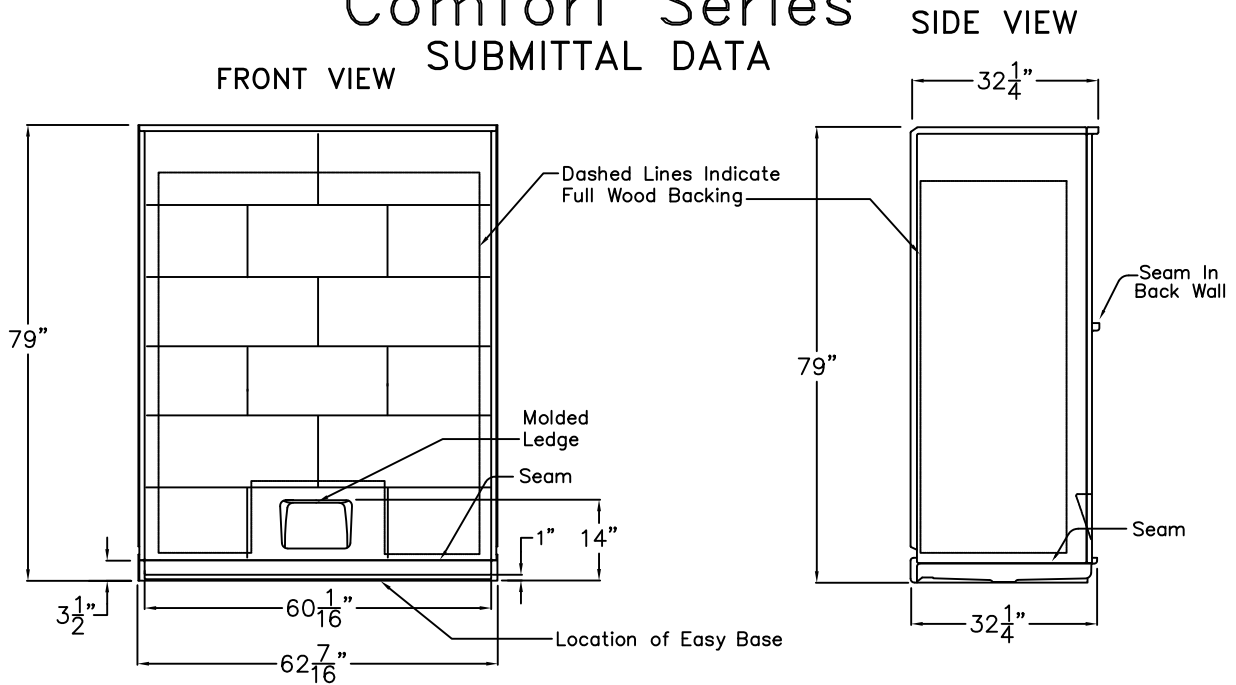


Comfort Series SUBMITTAL DATA



5 Piece Sectional BF Shower

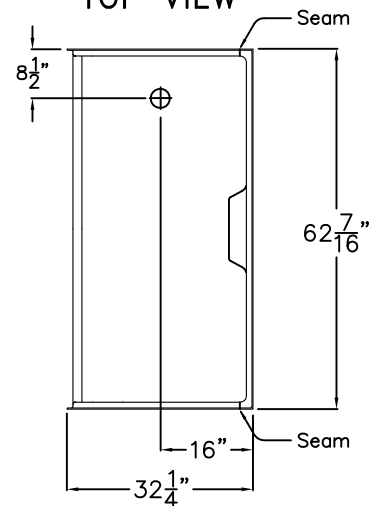
The sectional shower shall be RBS 6232 BF 5 Piece left, right drain. Finished surface shall be of a sanitary-grade polyester Gelcoat exhibiting a minimal thickness of 15 dry mils, and a finished cured Barcoal hardness of 80-90 as tested with ASTM D-2583. Unit construction shall be of molded reinforced fiberglass with a minimum 15% fiberglass content.

The unit has outside dimensions of: 62 7/16" x 32 1/4" x 79". The 5 piece shower shall meet CSA B45.5, IAPMO Z124.1.2, HUD, FHA, Home Innovation Research Lab, ADA, ANSI A117.1, and shall meet the requirements of the Southern Building Code.

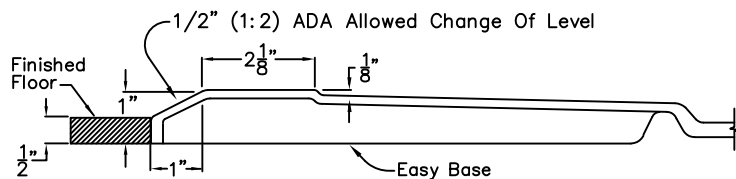
The enclosure shall be equipped with the following installed accessories:

- 1) Low entry 1.0" Threshold,
- 2) Tile Finish,
- 3) Low Molded Shelf,
- 4) Left or Right drain location,
- 5) Five Piece Sectional Design
- 6) Full Wood Backing On Walls
- 7) Factory installed Easy Base self sustaining bottom.

TOP VIEW



CROSS SECTION OF THRESHOLD



DUE TO THE NATURE OF THE MATERIALS INVOLVED
UNIT DIMENSIONS MAY VARY ± 1/2 INCH

Renovative Bath Systems

Drawing#: RBS 6232 BF 1.0 5P FWB Easy Base

Date: 3-31-09

Revised: 6-23-14

Approved By Print Name:

Date Approved:

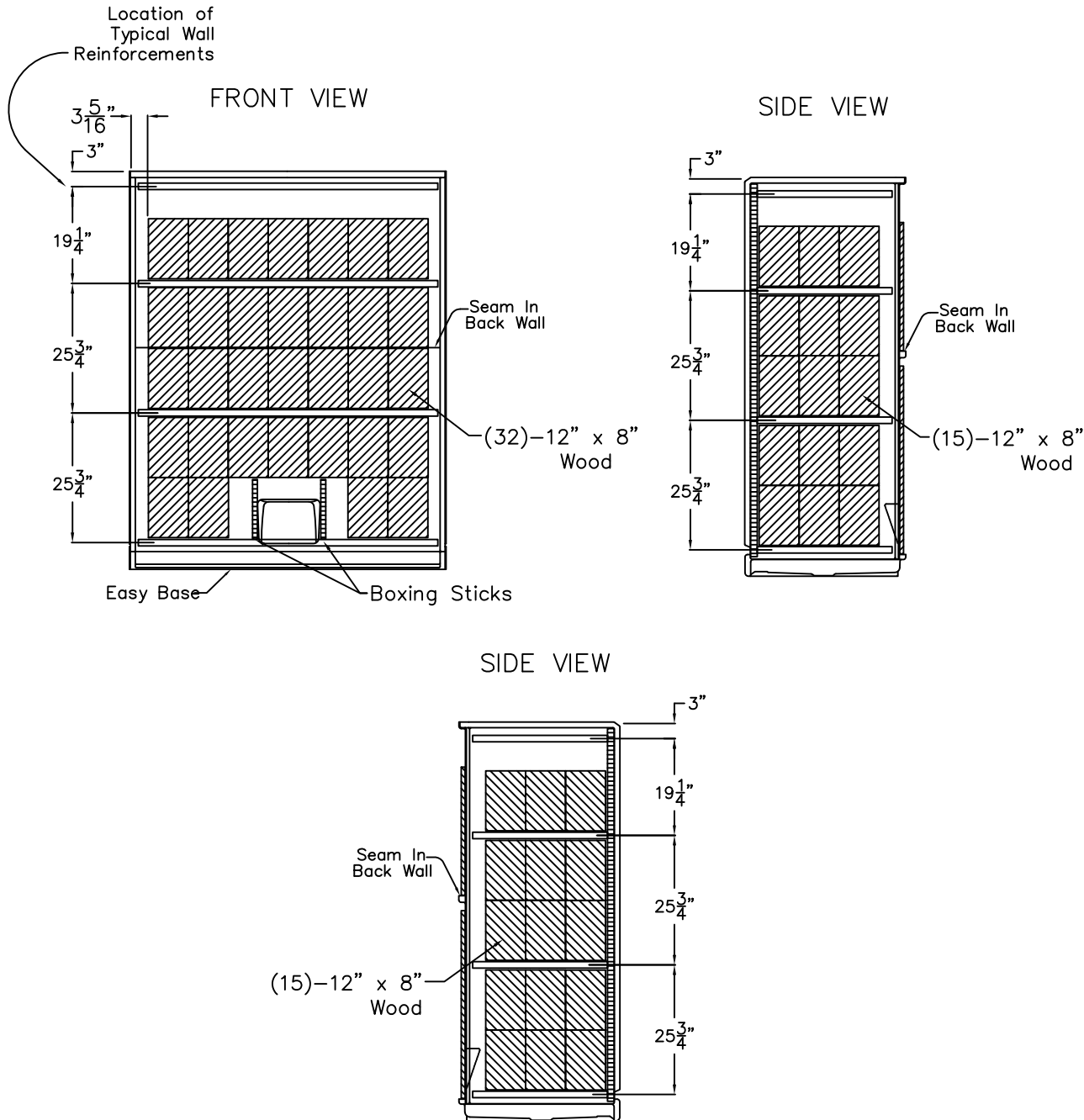
Approved By Signature:

Wholesaler:

Quote No.

Board Placement Drawing

SUBMITTAL DATA © 2004



DUE TO THE NATURE OF THE MATERIALS INVOLVED
UNIT DIMENSIONS MAY VARY ± 1/2 INCH

Job Name:		Renovative Bath Systems	
Model No.:		Drawing#: RBS 6232 BF 1.0 5P FWB Easy Base	
Approved by:	Date Approved:	Date: 3-31-09	Revised: 6-11-14
Rep.:	Wholesaler:	Quote No.:	