



RBSP 3838 BF .5

OD: 38.625" x 38.4375" x 4.5"

Threshold: 1/2" Threshold

Handed By: Center Drain

Weight: 45

Load Factor: .15

Codes: ADA, ICC ANSI, ANSI 117.1, MAS, TAS

SHOWER PANS

APPLICATIONS

Residential Home Modifications,
Commercial Facility Renovations
& Tile Applications

SHOWER PAN FEATURES

- White Premium Marine-Grade Gelcoat
- Grip Sure™ Floor
- Self-Supporting & Pre-leveled EasyBase™ Shower Base
- Shower Door Friendly
- Thirty Year Warranty
- In Stock for Rapid Ship

CODE COMPLIANCE

IPC, UPC, ANSI Z 124.2
RBSP 3838, 6232, & 6238 are
ADA, TAS, MAS Compliant

SAFETY FEATURES

- Grip Sure™ Floor
- Barrier Free or Easy Step Dam

CONTRACTOR FRIENDLY FEATURES

- EasyBase™ - No Mudset Required (Barrier Free units only)
- Compact, Durable Carton Packaging for Easy Handling
- Perfect Compliment for Tile Applications

SOLID SURFACE OPTION

- Available in CenturyStone™ Solid and Natural Solid Surface Material

30 YEAR LIMITED WARRANTY THE NEW STANDARD IN QUALITY

Where Warranty meets quality is where you find Renovative Bath Systems. Uncommon in the industry, all our RBS showers and shower pans are offered with an unprecedented 30 year limited warranty.



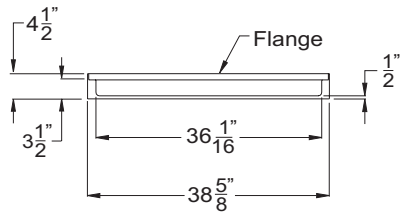
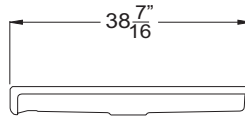
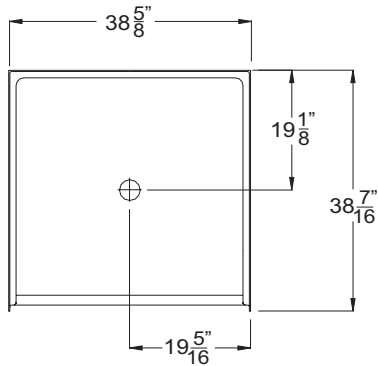
RBSP 3838 BF .5

OD: 38.625" x 38.4375" x 4.5"

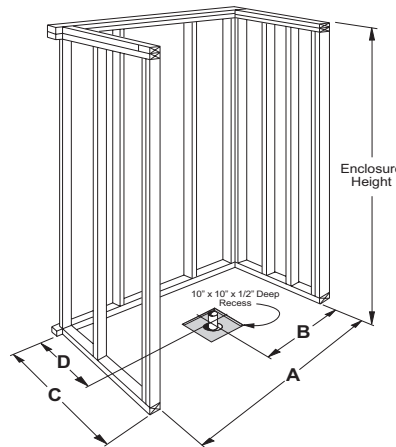
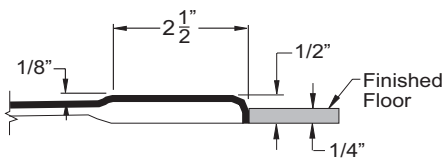
Threshold: 1/2" Threshold

Handed By: Center Drain

Codes: ADA, ICC ANSI,
ANSI 117.1, MAS, TAS



3838 BF .5



	A	B	C	D
3838 BF PAN	38 7/8"	19 3/8"	38 5/8"	19 1/8"

PACKAGING DETAILS



Rapid SHIP



- Compact, Durable Carton Packaging for Easy Handling

- Ships LTL Truck in four business days for orders of two or less.

- For orders of two or more, call customer service for lead times.

- Accessories are shipped loose for field installation.

OPTIONAL ACCESSORIES

Grab Bars - Shipped Loose For Field Installation

- 18" Grab Bar - Stainless Steel
- 18" Grab Bar - White
- 24" Grab Bar - Stainless Steel
- 24" Grab Bar - White
- 36" Grab Bar - Stainless Steel
- 36" Grab Bar - White
- 42" Grab Bar - Stainless Steel
- 42" Grab Bar - White

Decorative Bars - Shipped Loose For Field Installation

- 24" Decorative Bar - Oil Rubbed Bronze
- 24" Decorative Bar - Satin Nickel
- 24" Decorative Bar - Polished Brass
- 24" Decorative Bar - Chrome

Additional Loose Accessories - For Field Installation

- Seat-Padded 24" x 16" with Four Fold-Down Legs
- Anti-Scald Valve - Chrome
- Slide Bar / Hand Held Shower
- Premium Anti-Bacterial Nylon Weighted Curtain (Off-White)
- Curtain Rod - Stainless Steel or White
- L-Shaped Curtain Rod - Stainless Steel (for 6060 3P DE)
- Collapsible Dam with Horizontal Endcaps - White (for Barrier Free models)
- Collapsible Dam with Vertical Endcaps - White (for 6030 & 5430 models)
- Semi-Permanent Dam
- Caulkless Drain - Stainless Steel
- Flange Trim Molding Kit

 Renovative Bath Systems

CUSTOMER SERVICE
800.441.8673

Richmond, VA
www.renovativebath.com