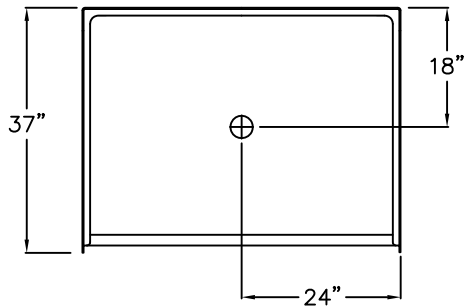
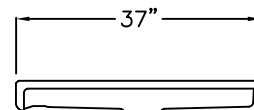


RENOVATIVE BATH SYSTEMS
SUBMITTAL DATA

FRONT VIEW



SIDE VIEW



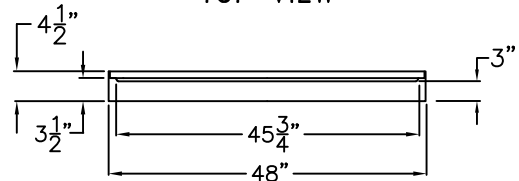
Shower Pan

The shower enclosure shall be RRSP4836 SH 3.0 Pan, Center. Finished surface shall be of a sanitary-grade Polyester Gelcoat exhibiting a minimal thickness of 15 dry mils, and a finished cured Barcol hardness of 80-90 as tested with ASTM D-2583. Unit construction shall be of molded reinforced fiberglass with a minimum fiberglass content. The unit shall have outside dimensions of 48" x 37" x 4 1/2". The gelcoat pan shall meet ANSI Z124.2, NAHB, UPC, comply with CSA, and shall meet the requirements of Southern Building Code.

The enclosure shall be equipped with the following installed accessories:

- 1) 3.0" Threshold.
- 2) Center Drain Location.

TOP VIEW



DUE TO THE NATURE OF THE MATERIALS INVOLVED
UNIT DIMENSIONS MAY VARY ± 1/2 INCH

Job Name:	RENOVATIVE BATH SYSTEMS		
Model No.:	Drawing#: RBSP4836 SH 3.0 Pan Center		
Approved by:	Date Approved:	Date: 3-31-09	Revised: 12-20-10
Rep.:	Wholesaler:	Quote No.	