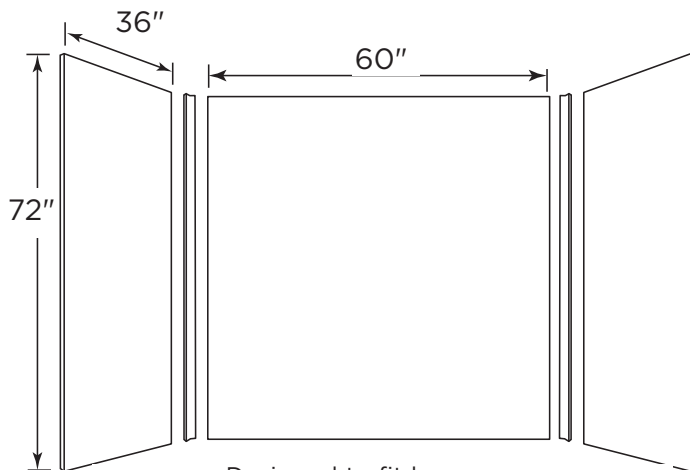


WARRANTY
Limited Lifetime - Residential

FEATURES

- Reinforced solid surface means color and texture run all the way through and cannot wear away.
- Will not mold or mildew, no grout to clean.
- Ideal for remodeling, panels glue up over existing surface.
- A complete kit with everything you need to design your shower.
- Wall panels are easily trimmed to fit shower applications.
- Compression molding means superior durability.



Designed to fit base areas
36" deep or smaller x 60" wide x 72" high or
smaller
(914 mm x 1524 mm x 1829 mm)

- The **RBSK-366072** is a five piece shower wall panel system with a smooth surface.

SPECIFICATIONS

RBSK-366072 Solid Surface Shower Wall Kit

Model	Part	Base Area Designed To Fit	Ship Wt. Lb.	Ship FedEx	Carton Dims. In.	Cu. Ft.
RBSK-366072	RBSK366072	36" D x 60" W x 72" H* (914 mm x 1524 mm x 1829 mm) (*or smaller)	185	-	76 x 64 x 4	11.25

COLORS

- Solid Colors:**
- White (010)

Kit Includes: Two side panels, one back panel, two corner molding strips, installation and color coordinated silicone.

Packaging: Each kit is packed in an individual carton.

STANDARDS AND RATINGS

American Society of Testing and Materials (ASTM) E-84: Class A Flame Spread Rating

American National Standard Institute—ANSI Z124.6

For a complete list of tests and results see the Technical Data Sheet.

MAINTENANCE AND CLEANING INFORMATION

Clean regularly with common household liquid cleaners and rinse within five minutes of application. Occasional scrubbing with abrasive cleaners ensures that the original luster will be maintained. **Do not** use "leave on" cleaning products, such as automatic spray shower cleaners. Prolonged contact with harsh chemicals could have an adverse reaction over time and discolor surfaces.

Do not use cleaning agents that caution use on acrylic, polyester or plastics.

SOLID SURFACE

SPECIFICATIONS AND TECHNICAL DATA SHEET

PROPERTY TEST	TYPICAL RESULTS	TEST
Impact Resistance	No damage 1-1/2 Diameter Steel Ball. Over 72"	NEMA LD-3
Izod Impact Method A (with notch) Method E (reverse notch)	3.0 ft. - lb./in. 4.0 ft. - lb./in.	ASTM D256 ASTM D256
Stain Resistance	Passes	CSA B45.5/IAPMO Z124-2011
Cigarette Resistance	Passes	CSA B45.5/IAPMO Z124-2011
Boiling Water Resistance	No effect	NEMA LD-3
High Temperature Resistance	Slight effect	NEMA LD-3
Abrasion Assistance	Passes	ASTM D4060
Color Fastness and Aging	No change	NEMA LD-3
Tensile Strength	4439 PSI	ASTM D638
Tensile Modulus	7.48 x 10 ⁵ PSI	ASTM D638
Tensile Elongation	.45%	ASTM D638
Hardness	Barcol Hardness: 51 Rockwell RB Hardness: 60.5 15-T Hardness: 34.7	ASTM D2583
Slip Resistance	Passes	ASTM F462
Fungus Resistance	Passes: 0 growth	ASTM G21-96
Bacterial Resistance	Passes: 0 growth	ASTM G22-90
Wear and Cleanability	Passes	CSA B45.5/IAPMO Z124-2011
Flexural Strength	8225 PSI	ASTM D790
Flexural Modulus	7.49 x 10 ⁵ PSI	ASTM D790
Thermal Expansion	1.23 x 10 ⁻⁵ in/in/°F	ASTM D696
Gloss (60°)	40	NEMA LD3
Water Absorption	.321%	ASTM D570
Specific Gravity	1.55	

FLAMMABILITY

Flame Spread Index	Meets Class A	ASTM E84
Smoke Developed Index	85	ASTM E84
Fire Rating	Class A	

Approximate weight per square foot 2 lbs. for 1/4" sheet. See product guide for actual weights.

